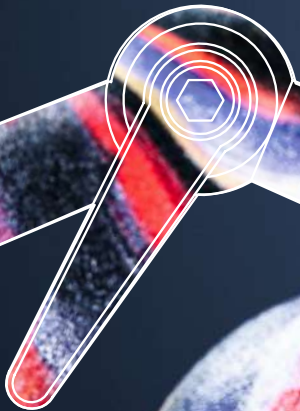


NOGA
simply sophisticated

Success only comes to
those who DARE to attempt

Holdit



Innovation is the beneficial utilization of knowledge and creativity, in order to discover and realize what does not yet exist.

Erik Keldmann

Noga is innovation

All NOGA products meet the strict requirements of ISO 9001, 14001 and ISO 14385. We invite you to visit our web site: www.holditbynoga.com for further information. NOGA reserves the right to make changes in any of its products without prior notice.

© Copyright NOGA Engineering & Technology (2008) Ltd.

All rights reserved. No part of this publication may be reproduced, transcribed, stored in an electronic retrieval system, translated into any language or computer language, or be transmitted in any form whatsoever without the prior written consent of the publisher.





Contents

INTRODUCTION	4
PROFESSIONAL VARIABLE ARM SYSTEM	5-6
MONITOR CINEMATOGRAPHY	7-8
NOGA ARMS WITH TOP FITTINGS	9-10
NOGA ARMS WITH 1/4"-20 NUT ON TOP	11-12
NOGA ARMS WITH QUICK RELEASE ON TOP	13-14
COMPLETE SETS & ORIGINAL ARM DISPLAY	15-16
MODULAR ARMS	17-18
SHORT JOINTS	19-20
MINI SHORT JOINTS	21-22
HEAVY DUTY ARMS & LIGHTING HEADS	23-24
POWER ARMS	25-26
GRIFFIN ARMS	27-28
CENTER MOUNT YOKE	29-30
INTEGRATED HEAD ADAPTOR	31
QUICK RELEASE ADAPTOR	32
XCHANGE CUBE, CONVERTORS, ACCESSORIES	33-34
CINE CLAMP, BASES & CLAMPS	35-36

Contents

MONITOR CINEMATOGRAPHY

PERFECT ACCESSORY FOR MOVIE MONITOR FILMING



SHORT JOINTS

HELPS YOU GET TO GRIPS WITH HEAVIER ACCESSORIES



HEAVY DUTY ARMS

EXCELLENT FOR LIGHTING HEADS



CENTER MOUNT YOKE

BALL-IN-SOCKET YOKE, ALLOWS HORIZONTAL & VERTICAL POSITIONING



Introduction

ACCESSORIES

NOGA SUPPLIES ALL
YOUR REQUIREMENTS



NOGA ENGINEERING & TECHNOLOGY LTD was established in 1980.

Over the last several years Noga has grown to become the world leader in the manufacturing of a full range of **holders for the photographic, movie and lighting industry.**

We are committed to the tradition and principles that led us throughout the years: high quality products; innovation and a very warm & loyal relationship with our customers.

Noga's strongest points are: product design and development, quality, service and product range.

Our products are sold in more than 70 countries around the world either through our own companies or via a network of exclusive agents.

We manufacture custom-made arms for companies such as ARRI, RED and PANAVISION.

We are able to custom make arms to suit clients requirements or simply print your brand name and logo onto any specified arm.

All Noga products meet the strict requirement of ISO9001, ISO14001 and ISO14385.

We thank you for choosing Noga.

Noga's Variable Arm Systems

PROFESSIONAL VARIABLE ARM SYSTEMS

Ingenious technology at the heart of your art.

Capturing the right cine or stills image is often a once-only opportunity. So it's vital you're not let down by inflexible and time-wasting equipment.

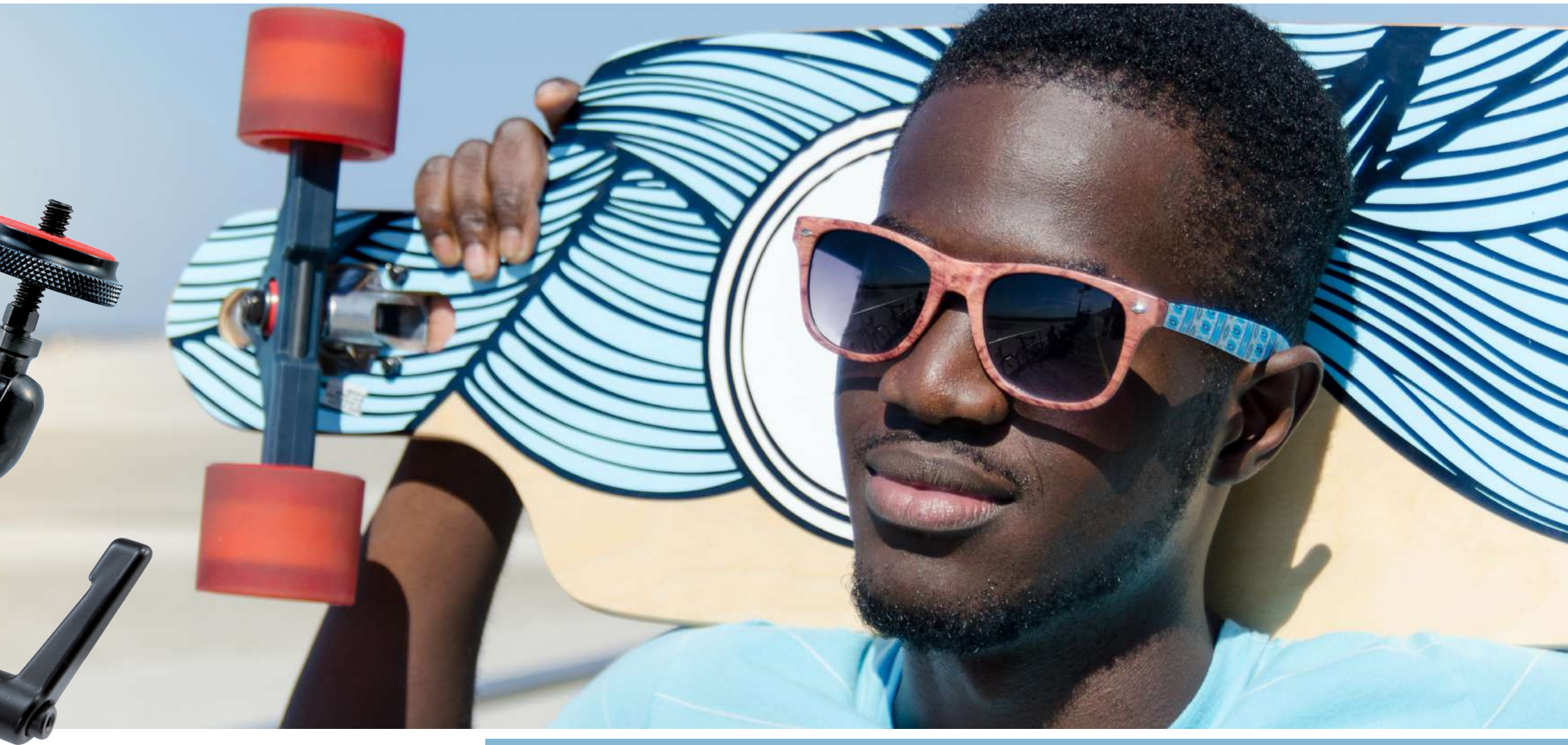
The **Holdit** Professional Variable Arm System keeps you in control. This exclusive, market-leading range helps you manage every shot, simply and efficiently. Featuring a double-articulated, triple-jointed arm that can be locked into limitless angles, the **Holdit** system supports props, fill in lights, reflectors, monitors or secure any compact table-top subject.

Holdit gives you the versatility and dependability no regular bracket, clip, clamp, wire, tape or balancing act can.

Holdit is fast becoming the essential accessory for professional photographers.

In fact, research tells us that once photographers have used the system, they insist on it everytime.





Noga pushes your creativity

NOGA
simply sophisticated

Monitor Cinematography

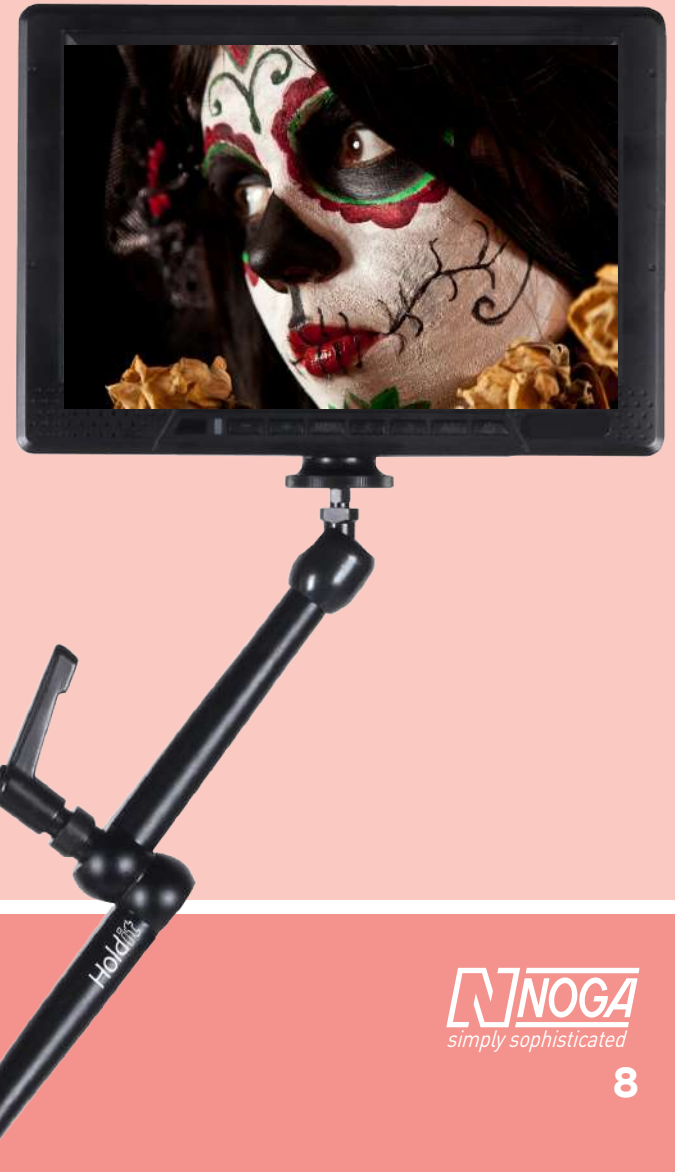




PERFECT ACCESSORY FOR MOVIE MONITORS FILMING

Mounted on to whatever size cine or video/DVD camera, **Holdit**'s robust, flexible arm can hold a monitor screen in position, to give you or crew the best view of what the lens is seeing. It's the perfect tool for the film and TV industry and for video photography, and is engineered to adapt to fit an enormous range of cine/digital or DVD cameras and photographic equipment.

Apart from being raised, lowered, tilted or swung in various directions, **Holdit** is easily and swiftly connected to the camera, making it an essential accessory for the serious film-maker.



I am Amazing!

Noga Arms with Top Fittings

NEW & IMPROVED DESIGN

It's new, improved central mechanism, a **kip lever**, is designed to speedily and easily lock or release the arm's 3 articulated joints. What's more, the new lever provides even greater holding strength. Additionally, the NOGA Arm has been redesigned with equal length on both sides of the arm for increased strength and holding resistance.

SIMPLE & EASY TO USE

Noga's rugged, lightweight 3-joint mounting arms have become an essential accessory for the professional cinematographer. Compatible with a wide range of cameras, they attach easily via a standard 3/8"-16 and 1/4"-20 screw, and are simple and ease to use. Supporting a monitor or camera light, the arm can be moved to the left or right of the lens, raised or lowered, and even tilted up or down to provide the clearest view or to get just the right angle for the job.



NOGA
simply sophisticated



Noga Arms

NOGA ARMS WITH 1/4" - 20 NUT ON TOP

Introducing the **NOGA Holdit** Articulating Arm with the Noga 1/4" - 20 nut installed on the top. The heart of the device is its single central locking knob that simultaneously locks all 3 joints.

The **Holdit** Complete Set range offers the professional photographer optimum flexibility and maximum choice while shooting. Five different sizes of articulated arm are available to match an extensive range of applications, and a broad range of optional accessories is also offered.

Custom-made accessories are also available upon request, with a minimum quantity of 500 units.

Easy, ergonomic placement of accessories such as viewfinders, monitors and onboard lights.



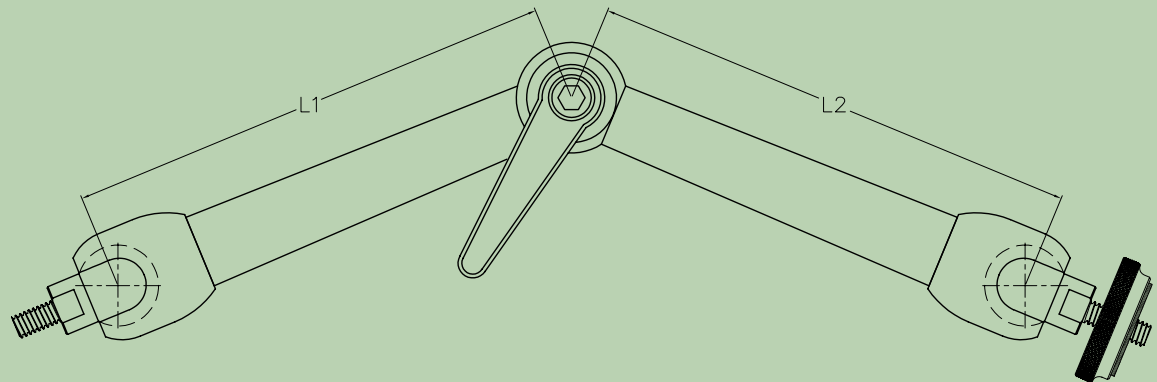


with 1/4" - 20 Nut on Top

Order No.	Weight		Max. Load**		Material	Bottom Length L1		Arm L1 Bottom External	Top Length L2		Arm L2 Top External	Total Length L1 + L2	
	lbs	Kg	lbs	Kg		mm	inch		mm	inch		mm	inch
LC9014	0.286	0.130	2.2	1	Aluminum	38	1.5	1/4"-20 Ext.	38	1.5	1/4"-20 + Nut	76	3
NF9014*	0.682	0.314	15.4	7	Aluminum	56	2.2	1/4"-20 Ext.	56	2.2	1/4"-20 + Nut	112	4.4
NF9038*	0.682	0.314	15.4	7	Aluminum	56	2.2	3/8"-16 Ext.	56	2.2	1/4"-20 + Nut	112	4.4
DG9014*	0.792	0.356	8.8	4	Aluminum	110	4.33	1/4"-20 Ext.	110	4.33	1/4"-20 + Nut	220	8.66
DG9038*	0.792	0.356	8.8	4	Aluminum	110	4.33	3/8"-16 Ext.	110	4.33	1/4"-20 + Nut	220	8.66
MG9038	1.430	0.650	17.6	8	Aluminum	133	5.25	3/8"-16 Ext.	133	5.25	1/4"-20 + Nut	266	10.05
GR9038	2.280	1.04	8.8	4	Aluminum	279	11.02	3/8"-16 Ext.	279	11.02	1/4"-20 + Nut	558	22.04

* Available with knob

** Max. weight load when arm is fully opened.



Noga Arms

NOGA ARMS WITH QUICK RELEASE ON TOP

Introducing the **NOGA Arm QR**, an upgraded version of the Noga **Holdit** Articulating Arm with the Noga Quick Release fitted to the top arm.

Noga's Quick Release is a pull-to-release adaptor that allows for quick and easy mounting and releasing of accessories on the NOGA Arms. The QR is mounted to the arm by pulling back the release sleeve and inserting in the accessory.

The heart of the device is its single central locking knob that simultaneously locks all 3 joints.

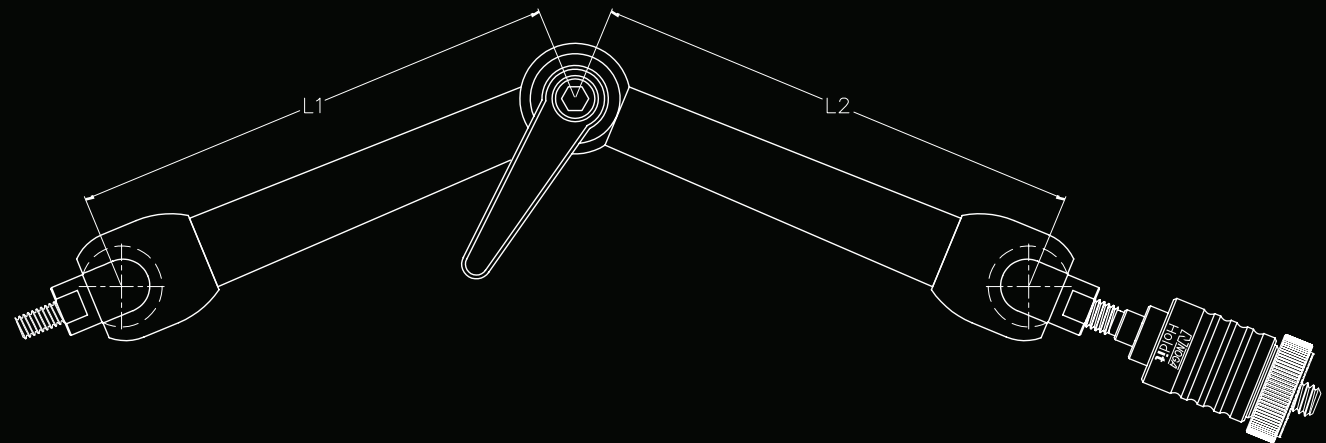


NOGA
simply sophisticated

with QR on Top



Order No.	Weight		Max. Load		Material	Bottom Length L1		Arm L1		Top Length L2		Arm L2		Total Length L1 + L2	
	lbs	Kg	lbs	Kg		mm	inch	Bottom External	mm	inch	Top External	mm	inch		
LC9114	0.33	0.15	2.2	1	Aluminum	38	1.5	1/4"-20 Ext.	38	1.5	1/4" + QR	76	3		
NF9114	0.606	0.275	15.4	7	Aluminum	56	2.2	1/4"-20 Ext.	56	2.2	1/4" + QR	112	4.4		
NF9138	0.606	0.275	15.4	7	Aluminum	56	2.2	3/8"-16 Ext.	56	2.2	1/4" + QR	112	4.4		
DG9114	0.913	0.415	8.8	4	Aluminum	110	4.33	1/4"-20 Ext.	110	4.33	1/4" + QR	220	8.66		
DG9138	0.913	0.415	8.8	4	Aluminum	110	4.33	3/8"-16 Ext.	110	4.33	1/4" + QR	220	8.66		
MG9138	1.54	0.7	17.6	8	Aluminum	133	5.25	3/8"-16 Ext.	133	5.26	1/4" + QR	266	10.05		



... and you will win

Noga QR Promotion Sets



DG PRO-SET HS9000

INCLUDES:

Noga Cine Arm - DG9014

Quick Release with a male 1/4" thread top and female 1/4" thread on the bottom - AD4200

Xchange Cube offering: 1/4" - 1/4", 1/4" - 3/8", 3/8" - 3/8" - AD1141

Converter with a female 1/4" to male 3/8" threads - AD2300

Maximum weight: 8.8 lbs / 4 Kg



NF QR SET NF9002

INCLUDES:

Noga NF Arm small sized - NF9000

Quick Release x 2 with a male 1/4" thread top and bottom - AD4000

Maximum weight: 15.4 lbs / 7 Kg



DG QR SET DG9002

INCLUDES:

Noga DG Arm mid sized - DG9000

Quick Release x 2 with a male 1/4" thread top and bottom - AD4000

Maximum weight: 8.8 lbs / 4 Kg



The Original Arm Display

MOBILE NOGA Holdit DISPLAY

The new display is ready. On the bottom stage are positioned 3 internal 1/4" threads for the Arms, we suggest to show NF, DG & MG arms. The 4th thread on the left side will be for the post that will show the new clamp.

The upper stage includes five 1/4" thread holes for displaying more of Noga's accessories, as shown.



PK0127



Modular Arms



NOGA
simply sophisticated



GR

MG

DG

NF

LC



Modular Arms

Order No.	Weight		Max. Load*		Material	Bottom Length L1		Arm L1 Bottom External	Top Length L2		Arm L2 Top External	Total Length L1 + L2	
	lbs	Kg	lbs	Kg		mm	inch		mm	inch		mm	inch
LC9000	0.266	0.121	2.2	1	Aluminum	38	1.5	M6	38	1.5	M6	76	3
NF9000	0.440	0.210	15.4	7	Aluminum	56	2.2	M6	56	2.2	M6	112	4.4
DG9000	0.550	0.250	8.8	4	Aluminum	110	4.33	M6	110	4.33	M6	220	8.66
MG9000	1.140	0.520	17.6	8	Aluminum	133	5.25	M8	133	5.25	M6	266	10.5
GR9000	2.280	1.040	8.8	4	Aluminum	279	11.02	M8	279	11.02	M6	558	20.4

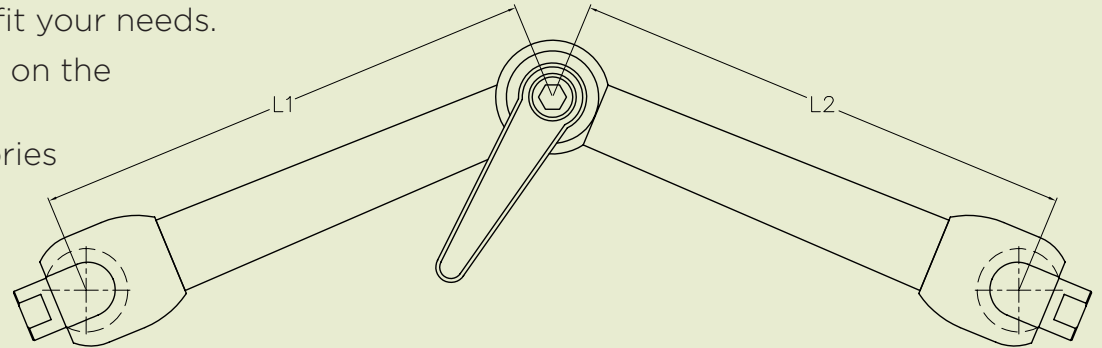
* Max. weight load when arm is fully opened.

FIVE DIFFERENT SIZES OF MODULAR ARMS ARE AVAILABLE FOR A WIDE RANGE OF APPLICATIONS:

Choose the arms that fit your needs.

Accessories are shown on the following pages.

Custom-made accessories are available upon request (minimum order 500 pcs).



Short Joints

THE Hold*it* SHORT JOINT: HELPS YOU GET TO GRIPS WITH HEAVIER ACCESSORIES

The Noga Short Joint is one of a range of high-precision ball and socket devices available from Noga, which optimizes ball/socket design intelligence. Because the diameter of the ball and socket head has a significant influence on the weight an arm can carry, the Noga Short Joint has been engineered with this factor in mind, and can support up to 17.6 lbs (8 Kg) - unrivalled for such a low-profile design. One single lever action operates a unique mechanism, which provides multidirectional operation, guaranteed locking and the effortless functioning of the ball joint. The design allows the ball to swivel smoothly in all directions, while a neatly-configured groove system also allows the arm to tilt by 90° in one direction.

The 1/4"- 20 screw is angle-adjustable and locks firmly into position. The nut allows you to tighten the mount closer to the camera and the accessory.





Short Joints

THE Holdit SHORT JOINT:

The bottom nut tightens closer to the camera and the top nut closer to the accessory. It connects 1/4"-20 accessories such as lights and monitors to cameras and other devices that feature hot-shoe facilities, supporting most cameras, including point and shoot versions.

The mounting plate also features a rubber pad to ensure the camera is fixed in position correctly and safely.

The Noga Short Joint is turned from solid aluminum alloy on state-of-the-art CNC machinery, to ensure the highest quality of manufacture.



Order No.	Weight		Max. Load		Material	Bottom Thread	Top Thread
	lbs	Kg	lbs	Kg			
SJ1000	0.521	0.237	17.6	8	Aluminum	Ext. 1/4"- 20 + Nut	1/4"- 20 + Nut
SJ1001	0.5214	0.237	17.6	8	Aluminum	Int. 1/4"- 20 + Nut	1/4"- 20 + Nut

Mini Short Joints

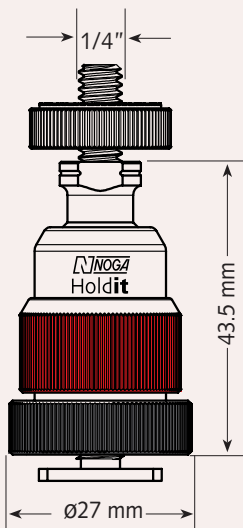


Mini Short Joints

THE Holdit MINI SHORT JOINT FLEXIBLE CONNECTOR:

The Noga Mini Short Joint is one of the range of high precision ball and socket devices available from Noga, which optimizes ball/socket design intelligence. Noga Mini Short Joint has been engineered and can support up to 4.4lbs (2 Kg). The mounting plate also features a rubber pad to ensure the camera is fixed in position correctly and safety. The bottom has a hot-shoe connection which supports most cameras, including point and shoot versions.

The Noga Short Joint is turned from solid aluminum alloy on state-of-the-art CNC machinery, to ensure the highest quality of manufacture.



Order No.	Weight		Max. Load		Material	Bottom Thread	Top Thread
	lbs	Kg	lbs	Kg			
SJ2000	0.14	0.063	4.4	2	Aluminum	Hot shoe	1/4" Ext. + Nut
SJ2100	0.14	0.063	4.4	2	Aluminum	Hot shoe	1/4" Int.



Heavy Duty Arms

VERSATILITY, FLEXIBILITY & RELIABILITY

Just look at the potential lighting uses. The **Holdit** Variable Arm System gives you the facility to securely and accurately position lighting heads, reflectors, close-up props and products, making it the perfect choice for both studio and location work

The system can be used to support lighting, positioning them left or right of the lens giving you countless angles in raising, lowering, tilting and turning. You can make subtle adjustments to shadows and eliminate microphone screen burning, all from one sturdy and dependable arm.



for Lighting Heads



Strength lies in differences,
not in similarities

Power Arms

Noga unveils its state of the art Hybrid articulated arms.

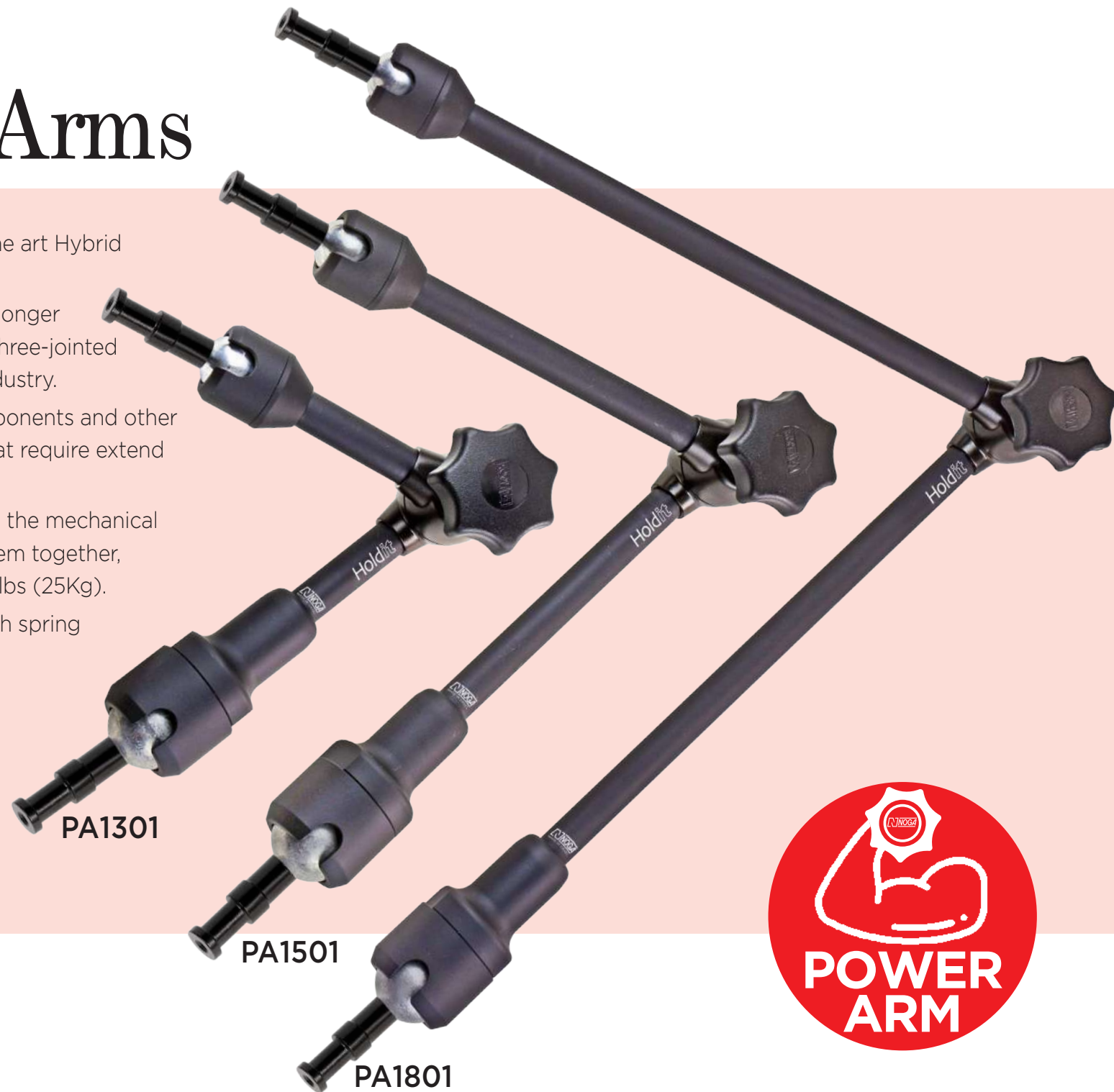
They are stronger, bigger, longer and outperform all other three-jointed articulating arms in the industry.

They can hold heavy components and other production accessories that require extend articulation mounts.

The New design combines the mechanical and hydraulic locking system together, allowing to hold up to 55 lbs (25Kg).

Central locking system with spring loaded bearings.

Black finish.



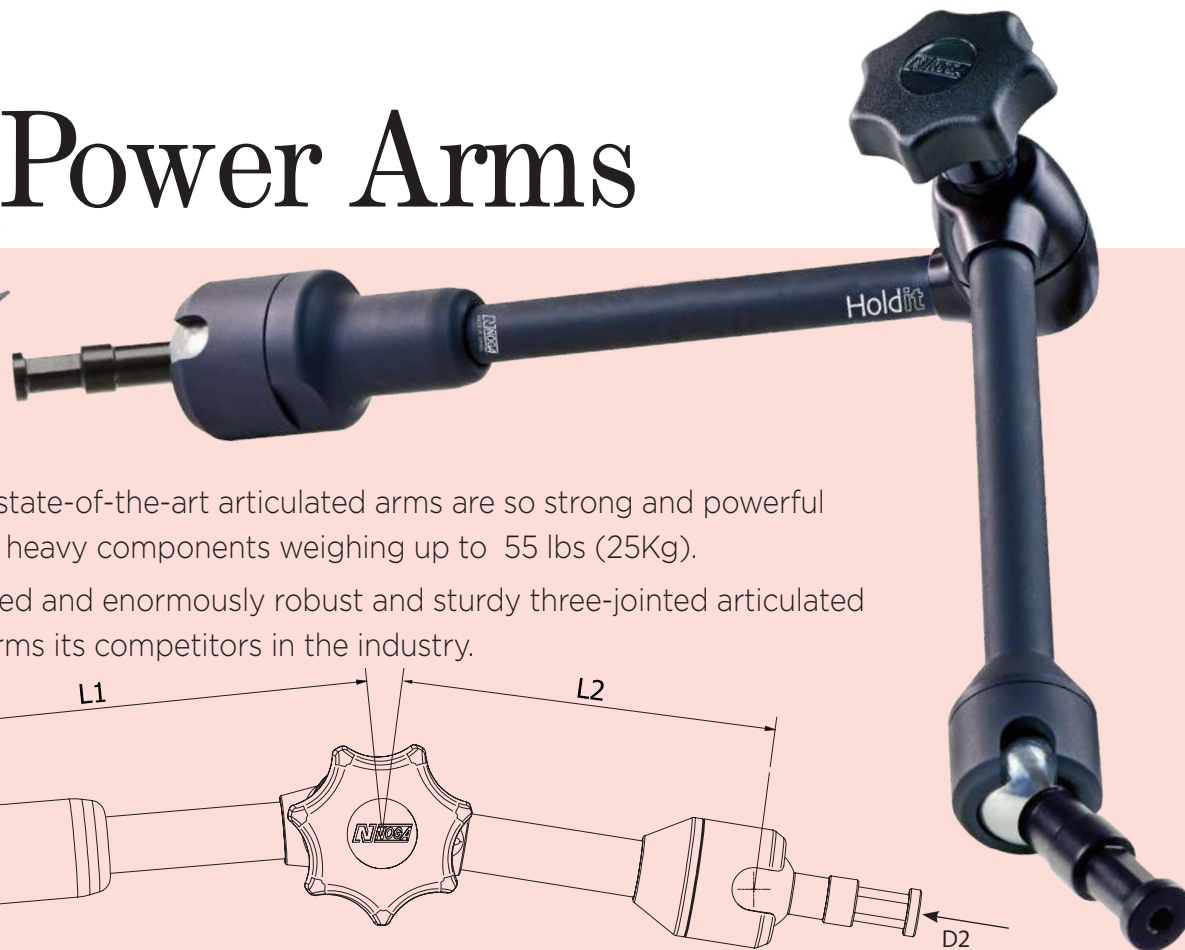
PA1301

PA1501

PA1801

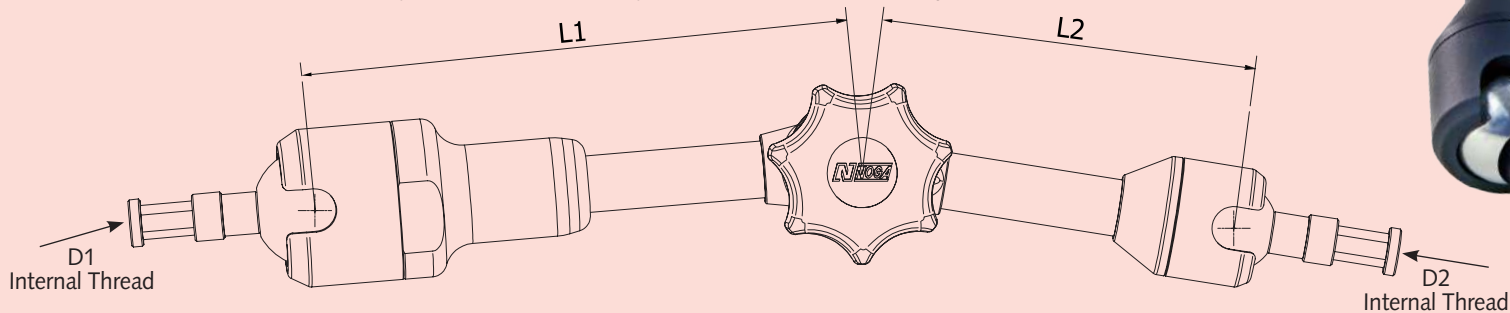


Power Arms



Noga Hybrid state-of-the-art articulated arms are so strong and powerful they can hold heavy components weighing up to 55 lbs (25Kg).

The finely tuned and enormously robust and sturdy three-jointed articulated arm outperforms its competitors in the industry.



Order No.	Weight		Internal Thread		Arms Length				Max. Load			
	Kg	lbs	D1	D2	L1	L2	L1 + L2	Kg	lbs			
PA1301	1.18	2.596	1/4" x 20	1/4" x 20	180	7.08	130	5.12	310	12.2	25	55
PA1501	1.33	2.926	1/4" x 20	1/4" x 20	280	11.02	230	9.05	510	20.07	15	33
PA1801	2.54	5.588	1/4" x 20	1/4" x 20	430	16.93	380	14.96	810	31.89	10	22

PATENTED

Griffin Arms

We are proud to launch the new version of our GRIFFIN ARMS Systems.

The Noga Griffin Arm is a much stronger and more versatile articulating arm. It is designed to hold lights, small cameras or monitors and any other production accessory that requires an extended articulation mount. It is bigger, longer and outperforms all other three-jointed articulating arms on the market.

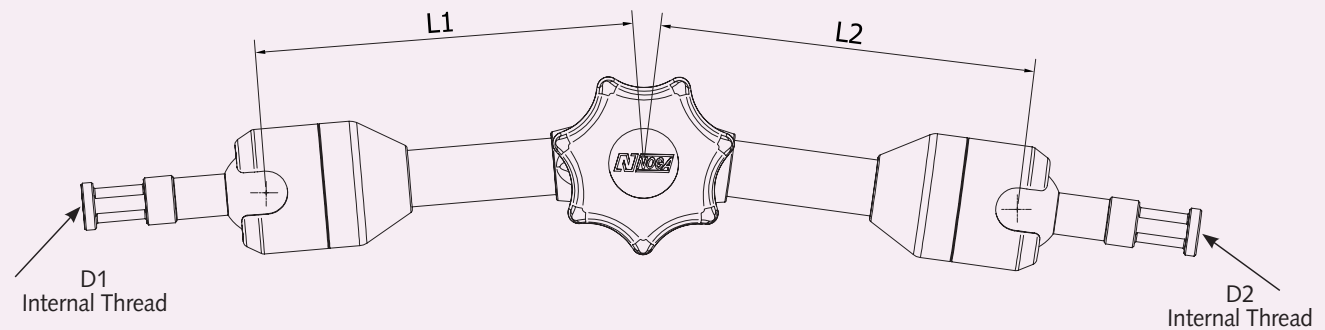
At the heart of the Griffin Arm is the central mechanism that quickly and easily locks or releases the arm's three articulated joints simultaneously with a simple turn. You can get your accessory into the perfect position, and when things change on set - and they almost always do - a fast, simple adjustment of the arm allows you to go with the flow. The rugged Griffin arm also holds more weight than any counterpart, up to 30 lbs (13.63 Kg) at full extension.

The versatile arm can be mounted on a light stand or anywhere else with a grip clamp. Each arm has an industry-standard 5/8 pin threaded at the ends in (1) 1/4" - 20 and (1) 3/8" - 16, respectively, for additional mounting options.



Griffin Arms

- Optimum for Lights, Small Cameras and Small Monitors.
- Central locking knob.
- Variable friction load adjustment.
- Lightweight and rugged construction.
- Durable Noga Quality.

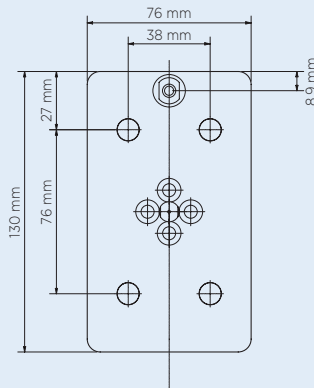


Order No.	Weight		Internal Thread		Arms Length				Max. Load			
	Kg	lbs	D1	D2	L1 mm	L1 inch	L2 mm	L2 inch	L1 + L2 mm	L1 + L2 inch	Kg	lbs
GR3320	1.18	2.596	3/8" x 16	1/4" x 20	150	5.9	150	5.9	300	11.8	13	28.6
GR2000	1.33	2.926	3/8" x 16	1/4" x 20	250	9.84	250	9.84	500	19.68	8	17.6
GR3820	2.54	5.588	3/8" x 16	1/4" x 20	400	15.74	400	15.74	800	31.48	5	11

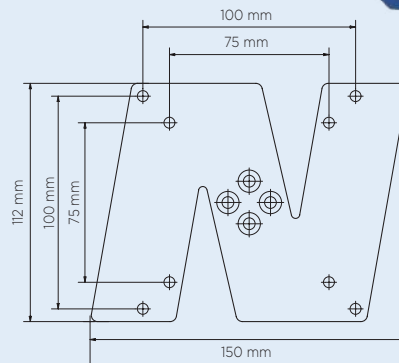
Center Mount Yoke

The Center Mount Yoke is a ball-in-socket yoke that allows for positioning panels in almost any orientation including vertical. The Center Mount Yoke replaces the traditional stirrup and assembling the panels on VESA or mini KINO plates located on the back of the Mount Yoke.

- Ball-in-socket design
- 28 mm (Junior) Spigot with long “goose neck”
- VESA or mini KINO plates attached to the Mount Yoke.



Center Mount Yoke with mini KINO Plate



Center Mount Yoke with Vesa Plate





Center Mount Yoke

- SJ9001** - Long Mount Yoke with Spigot and mini Kino Plate
- SJ9002** - Short Mount Yoke with Spigot and mini Kino Plate
- SJ9004** - Long Mount Yoke with Spigot and Vesa Plate
- SJ9005** - Short Mount Yoke with Spigot and Vesa Plate



Integrated Head Adaptor

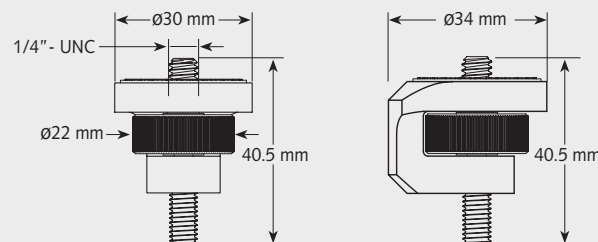
THE Holdit QUICK FASTEN & UNFASTEN ADAPTOR:

This small compact adaptor has been designed to allow easy & simple operation. The bottom M6 or 1/4" UNC screw will easily fit onto a range of **Holdit** arms.

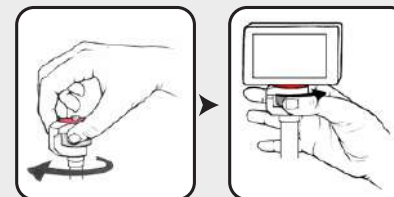
With just 2 fingers turn the non slip wheel to quickly fasten or unfasten your camera accessories.



Order No.	Material	Dimensions mm	Bottom Thread	Top Thread
		W x H		
AD5000	Aluminum	34 x 40.5	M6 Ext.	1/4" - UNC
AD5100	Aluminum	34 x 40.5	1/4" Ext. - UNC	1/4" - UNC
AD5600	Aluminum	34 x 40.5	3/8" Ext. - UNC	1/4" - UNC



Quickly fasten or unfasten your camera or it's accessories without delay or damage.





Quick Release Adaptor

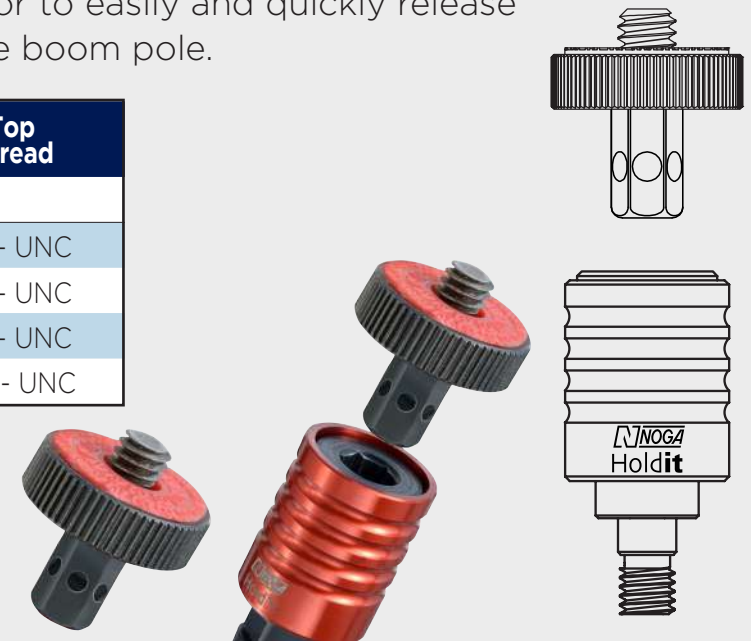
NOGA's Quick Release Adaptor is a pull-to-release adaptor that replaces the standard 1/4"-20 thread mount on the top of all NOGA Arms Series. It allows for quick and easy mounting and releasing of accessories on the NOGA Arms. It utilizes a 1/4" male thread with non-slip rubber surface for mounting accessories like monitors, lights, etc. The preloaded accessory can be mounted to the arm by pulling back the release sleeve on the adaptor and inserting in the accessory.

Make a quick-change to the equipment without having to fiddle with screws and threads. Allowing the operator to easily and quickly release any microphone or audio holder from the boom pole.



Order No.	Dimensions mm	Bottom Thread	Top Thread
	W x H		
AD4000	21 x 49	M6 Ext.	1/4"- UNC
AD4100	21 x 43	1/4" Ext. - UNC	1/4"- UNC
AD4200	21 x 43	1/4" Int. - UNC	1/4"- UNC
AD4400	21 x 38.5	3/8" Int. - UNC	3/8"- UNC

AD4300: Top part only thread 1/4"- UNC
AD4500: Top part only thread 3/8"- UNC



Xchange Cube | Convertors

A must have accessory in every operators tool kit or bag. The Xchange thread connector enables easy connections with all types of threads: 1/4"- 1/4", 1/4"- 3/8", 3/8"- 3/8"

FEATURES

3 x 1/4" threads
3 x 3/8" threads



AD1141

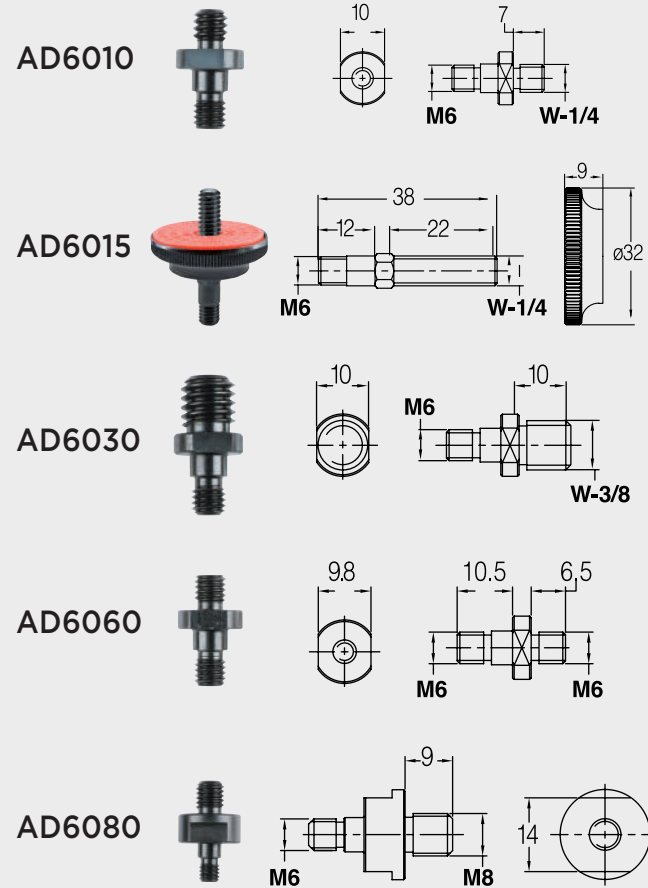
A range of adaptors & convertors to meet all your requirements. allows easy connnections for: 1/4"- 1/4", 1/4"- 3/8" and 3/8"- 3/8" threads.



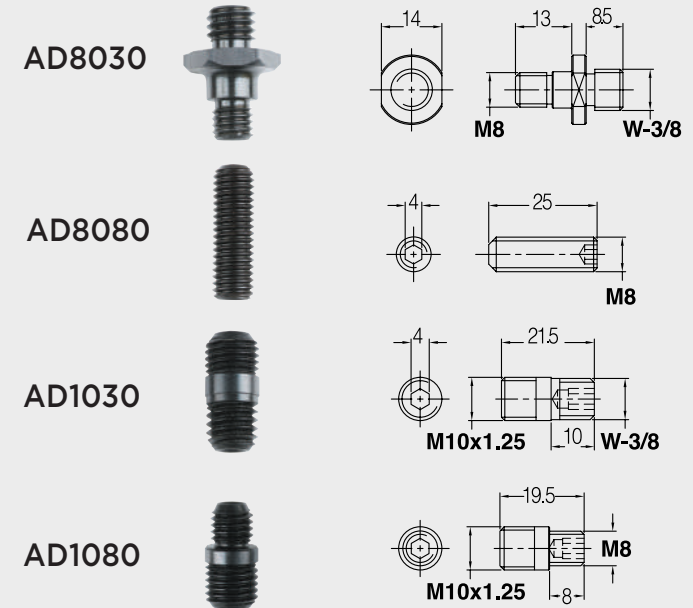
Order No.	Dimensions	Thread
	mm	inch
AD2000	20 x 20	1/4" Int. - 1/4" Ext.
AD2100	20 x 20	3/8" Int. - 3/8" Ext.
AD2200	20 x 20	3/8" Int. - 1/4" Ext.
AD2300	20 x 20	1/4" Int. - 3/8" Ext.

Accessories

M6 ACCESSORIES

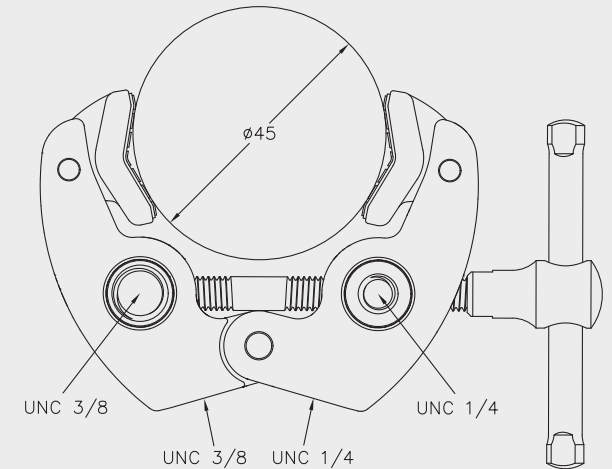
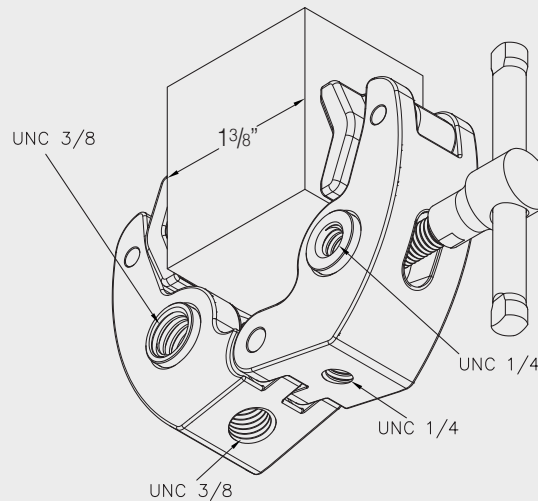


M8 & M10x1.25 ACCESSORIES

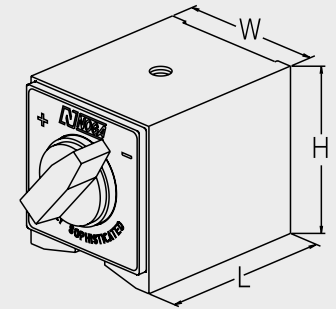
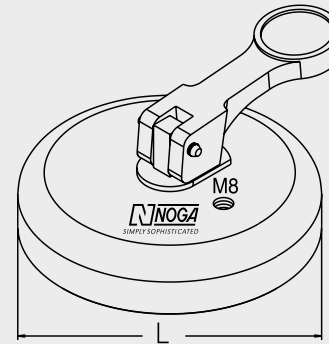
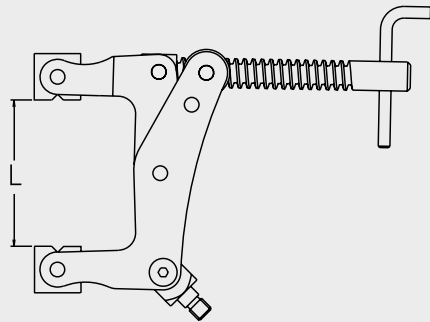


Cine Clamp

The new Noga Cine Clamp **CS4500** is strong, lightweight and features a special soft grip that can expand to grasp surfaces up to 1 3/4". The Cine Clamp features 3 threads of 1/4" as well as 3 threads of 3/8" threaded holes that can be used to mount accessories or additional Noga arms.



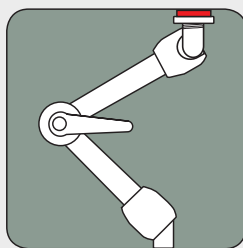
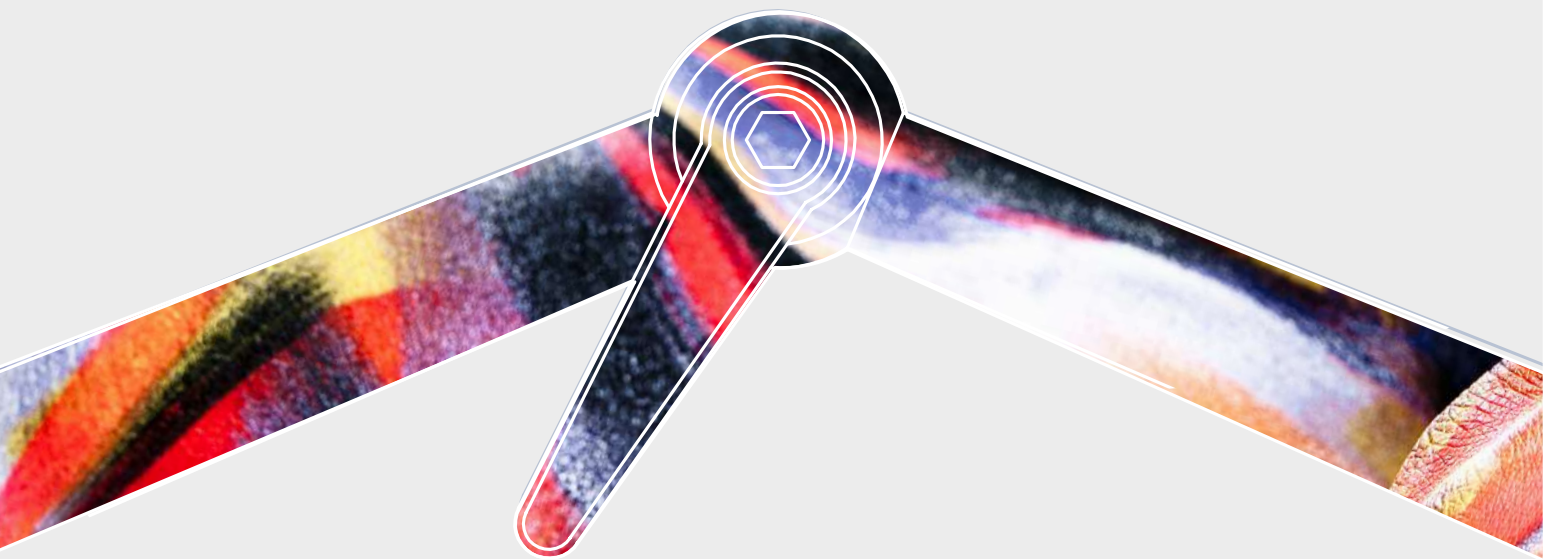
Bases & Clamps



Order No.	Max. Load Type	Weight		Force [N]	Thread	W		L		H	
		Kg	lb			mm	inch	mm	inch	mm	inch
DG0036	ON/OFF magnet	1.000	2.200	800	M8	50	1.97	60	2.36	55	2.16
DG1003	ON/OFF magnet multi-thread	1.350	2.280	1000	M6/8/10/12 10 x 1.25	50	1.97	75	2.95	55	2.16
DG0040	Vacuum base	0.400	0.880	350	M8	-	-	Ø65	-	-	-
MG0125	3" clamp with plastic cover	0.600	1.320	-	INT. M8	-	-	75	2.95	-	-
MG1006	3" clamp	0.600	1.320	-	EXT. M8	-	-	75	2.95	-	-
MG1003	3" clamp	0.600	1.320	-	INT. M8	-	-	75	2.95	-	-
MA0320	4" clamp	1.600	2.552	-	INT. M10 x 1.25	-	-	100	3.94	-	-

Index

Order No.	Pages	Order No.	Pages	Order No.	Pages
AD1030	34	CS4500	35	MG1106	36
AD1080	34	DG0036	36	MG9000	18
AD1141	33	DG0040	36	MG9038	12
AD2000	33	DG1003	36	MG9138	14
AD2100	33	DG9000	18	NF9000	18
AD2200	33	DG9002	15	NF9002	15
AD2300	33	DG9014	12	NF9014	12
AD4000	32	DG9038	12	NF9038	12
AD4100	32	DG9114	14	NF9114	14
AD4200	32	DG9138	14	PA1301	26
AD4300	32	GR3320	28	PA1501	26
AD4400	32	GR2000	28	PA1801	26
AD4500	32	GR3820	28	PK0127	16
AD5000	31	GR9000	18	SJ1000	20
AD5100	31	GR9038	12	SJ1001	20
AD5600	31	HS9000	15	SJ2000	22
AD6010	34	LC9000	18	SJ2100	22
AD6015	34	LC9014	12	SJ9001	30
AD6030	34	LC9114	14	SJ9002	30
AD6060	34	MA0320	36	SJ9004	30
AD6080	34	MG0125	36	SJ9005	30
AD8030	34	MG1003	36		
AD8080	34	MG1006	36		



HolditBy
NOGA
THE ORIGINAL ARM

BBP Light BV
Abberdaan 194 - 196
1046 AB Amsterdam

+31 (0)20 - 690 98 98
info@bbplight.com
www.bbplight.com